

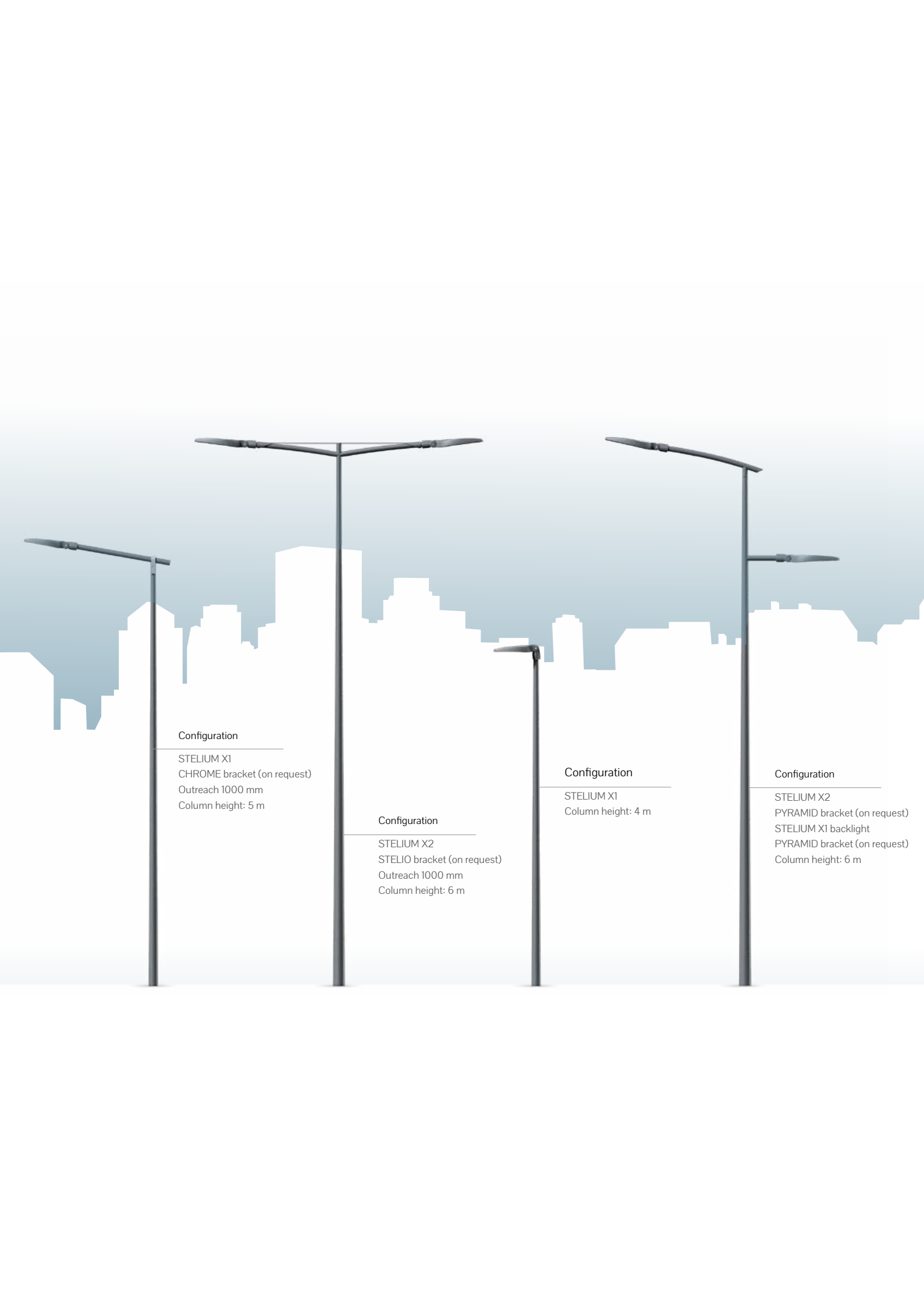
ECLATEC

ASSEMBLED BY FOS LIGHTING

STELIUM X

Design: ECLATEC





Configuration

STELIUM X1
CHROME bracket (on request)
Outreach 1000 mm
Column height: 5 m

Configuration

STELIUM X2
STELIO bracket (on request)
Outreach 1000 mm
Column height: 6 m

Configuration

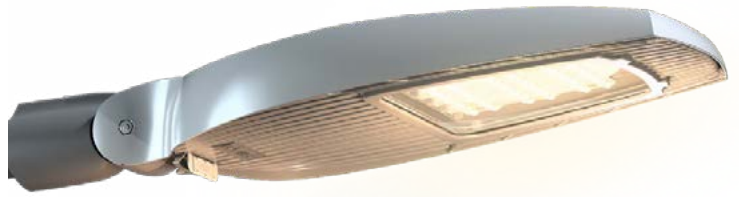
STELIUM X1
Column height: 4 m

Configuration

STELIUM X2
PYRAMID bracket (on request)
STELIUM X1 backlight
PYRAMID bracket (on request)
Column height: 6 m

STELIUM X

Design: ECLATEC



STELIUM X1

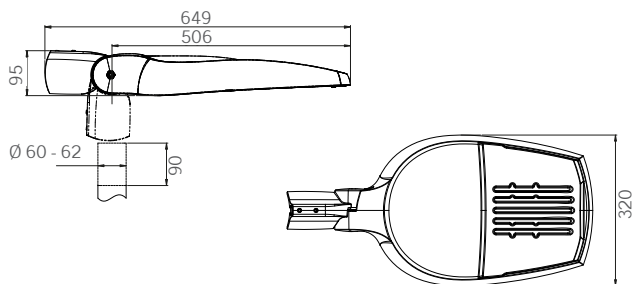
DESCRIPTION*

Product name	STELIUM X1	STELIUM X2
Housing	Injection die-cast aluminium body	
Bowl	X version: tool-less access	
Finish	Polyester powder coating: Signal Black (RAL9004), Grey Aluminium (RAL9007), Traffic White (RAL9016), Anthracite Grey (RAL7016)	
Impact protection	IK10	
Ingress Protection	IP66 Extruded silicone gasket Cable gland with anchoring device Breathing system with activated carbon filter	
Dimensions(LxI xh)	649 x 320 x 95 mm	749 x 380 x 95 mm
Weight	S1: 4.8kg / X1: 5.8kg	S2: 6.6kg / X2: 7.8kg
Windage area	0.05m ²	0.06m ²
Watts/lumens	Click to view	

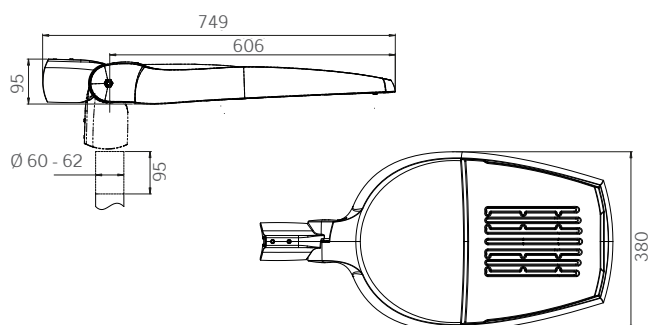
*Data shown is for standard assembled products within Australia. For all product specifications please view the ECLATEC Website.

DIMENSIONS

STELIUM X1



STELIUM X2





STELIUM X2

SOURCES & PHOTOMETRIC DISTRIBUTIONS*

	STELIUM X1	STELIUM X2
Sources	BLS strips 1xBLS8, 2xBLS8, 2xBLS12, 3xBLS12	2xBLS12, 3xBLS12, 4x BLS12,
Colour temperature	3000K, 4000K other options on request	
Optical Distribution	QUADRALENS ERS, ERE, ERL, LRL, LRS, ETS, PFA, EPD, EPG	
Backlight shield	Medium or strong cut-off on request	
Power supply current	3E: up to 700 mA ⁽¹⁾	
Driver protection	10 kV: 3E version	

(1) >700mA possible on request, E/L/P: Lighting/Luminance/Projection, R/C/T/F/P: Road/Circular/Pavement/Beam/Zebra crossing, E/S/L/A/D/G: Narrow/Standard/Wide/Asymmetrical/Right/Left

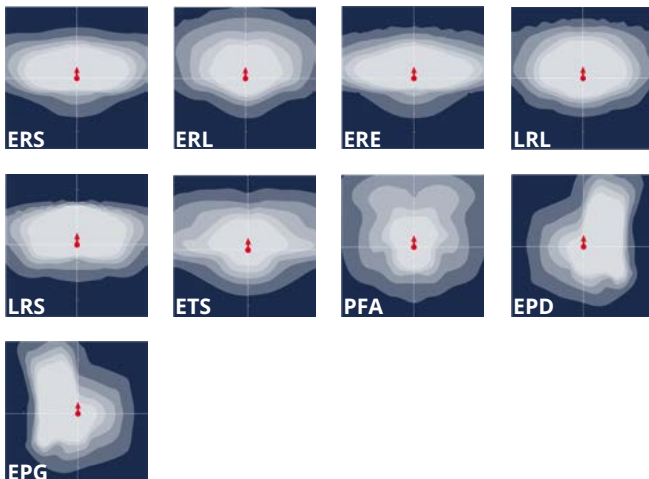
*Data shown is for standard assembled products within Australia. For all product specifications please view the ECLATEC Website.



BLS strips

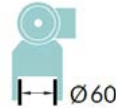
OPTICAL DISTRIBUTIONS

Stelium X1 & Stelium X2



Additional options & configurations available on request

MOUNTING OPTIONS



Pivoting sleeves: top or Lateral wrapping Ø 60 mm

Additional options & configurations available

CONTROL OPTIONS

STELIUM by Eclatec delivers advanced control across both centralised and decentralised architectures. The luminaire is supplied with DALI, NEMA, or ZHAGA interfaces as standard, ensuring broad system compatibility.

MAINTENANCE

Maintenance of the equipment and LEDs

STELIUM X1, X2: Opening without tools (1) of the arch. Direct access to the power supply and BLS strips. Quick electrical disconnection without tools (2). Circuit board removable onsite without tools.

